

navmoor

AIDS TO NAVIGATION

AIS, RACON
& REMOTE MONITORING

RBM4

RACON

RBM4

Frequency-agile Radar Beacon

The RBM4 is a latest-generation (frequency-agile) Radar Beacon, which works in the marine X and S radar bands, providing an important information to mariners under whatever meteorological conditions.

Advanced electronic technology

The RBM4 incorporates advanced electronic technology components from radar systems, applied to navigation aids, such as programmable logic and flexible circuit antenna arrays.

Ideal for places without power system available

The Racon actively answers all active radars in the vicinity with a user programmed Morse code which identifies its location by appearing on the radar display.

Designed according to IALA Recommendations and IMO Standards.

Response on X and S bands.

Advanced Side-Lobe Suppression system (SLS) to better discriminate the genuine pulses to be responded.

The length of the Morse code response matches the display range setting by programming the duration of the answer according to the pulse length before installation.

Transmitter power: 1 W in both bands.

Configurable receiver sensitivity.

RS-232 communication serial port.

Protection against reverse polarity and transient overvoltages.

Configuration via PC or Android APP (tablet and mobile).

Low power consumption.

Wide power supply range.

Maintenance free.

Light weight.



SPECIFICATIONS

Response encoding:	A-2, 0-9, SW-SE-NE-NW Morse codes, according IMO A530.
Output power:	Typical 1W (X and S bands).
Response delay:	<700 ns (X and S bands).
Speed response (each band):	10 KHz (X and S bands).
Azimuth response:	360°.
Communications and programming:	RS-232 serial port. 3 nos. status logic outputs. 1 no. control logic input.
Programmable activity:	0 to 60 seconds.
Programmable idle mode:	0 to 60 seconds.
Side-Lobe Suppression (SLS):	Advanced.
Temperature range:	From -40° to +70°C
Materials:	Aluminium and polyamide.
Watertightness degree:	IP 67.
Weight:	14 kg.
Fixings:	6 nos. Ø10 drill holes each 60° in a 254 mm diameter.

FREQUENCY RANGE

X band:	9,300 - 9,500 MHz.
S band:	2,900 - 3,100 MHz.

RECEPTOR SENSITIVITY (ADJUSTABLE)

X band:	-50 dBm.
S band:	-50 dBm.

ANTENNA

Broadcasting uniformity:	- 2 dB in X+S bands over 360°(horizontal).
Vertical divergence:	- 3 dB X and S bands / 22° vertical.

POLARISATION

X band:	Horizontal
S band:	Horizontal and vertical.

POWER SUPPLY RANGE

Range:	From 9 to 36 V d.c.(horizontal).
---------------	----------------------------------

POWER CONSUMPTION

Average nominal:	9,300 - 9,500 MHz.
Maximum (X+S):	2,900 - 3,100 MHz.
Idle:	<0,1 W.

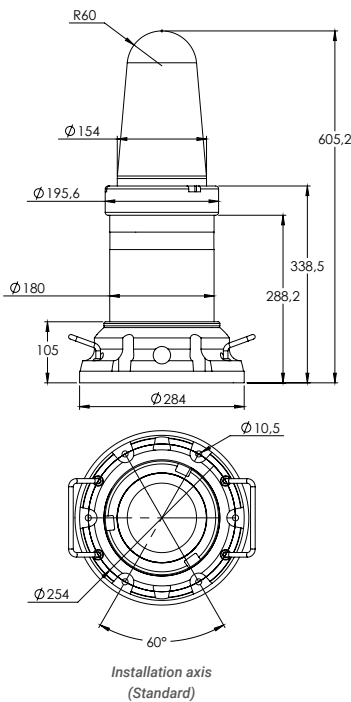
OPTIONS

- Adaptation base, diameter 200 mm.
- Lifting and carrying handles.
- ATEX version, RBM4-EX.
- Interface module for telecontrol.

ACCESSORIES

- Programming cable.
- Power cable.
- User manual.

! Specifications subject to change without previous notice.



Android APP